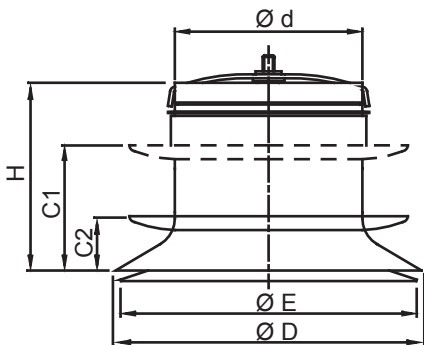
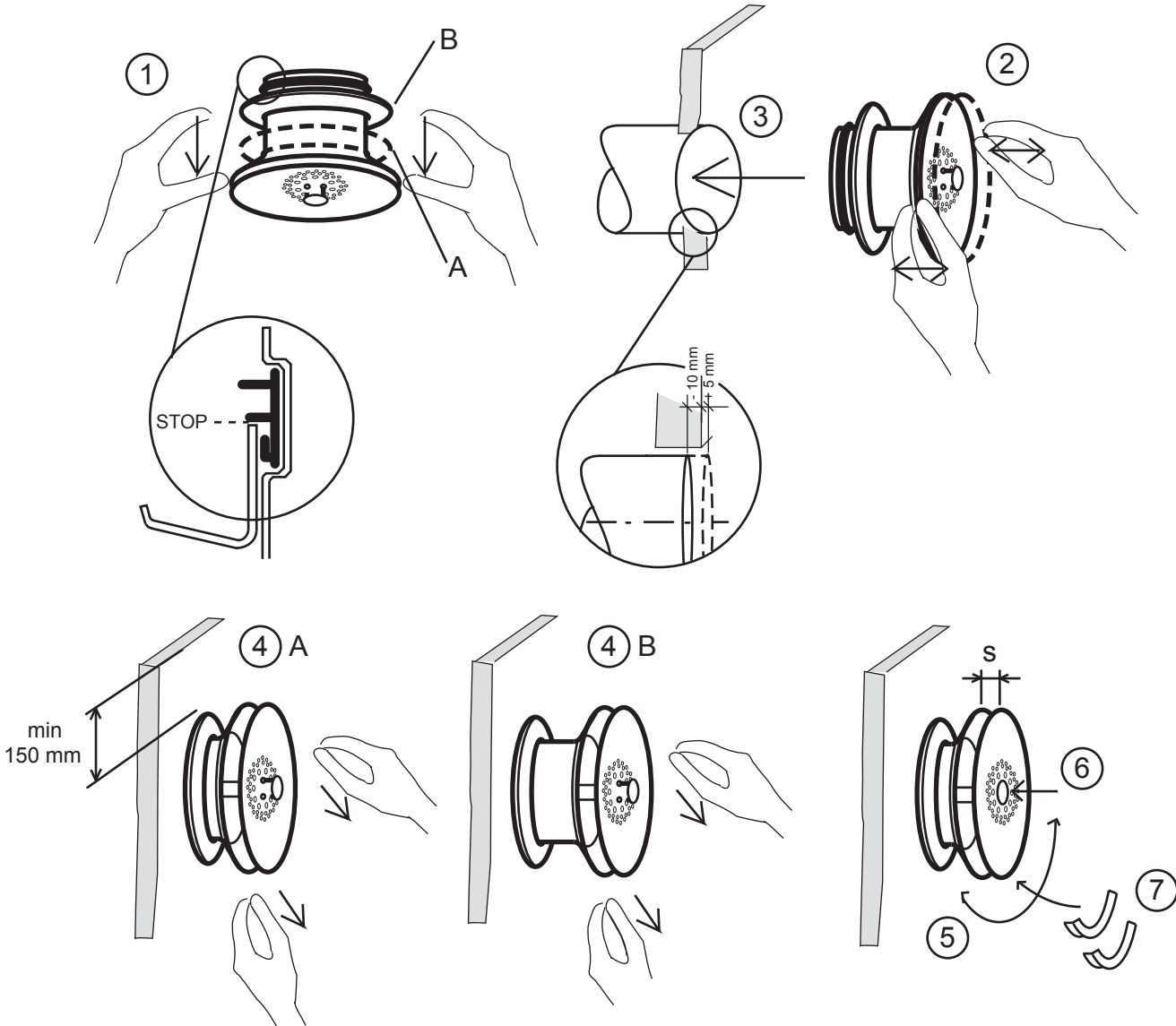
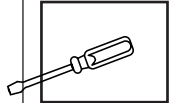
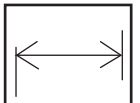


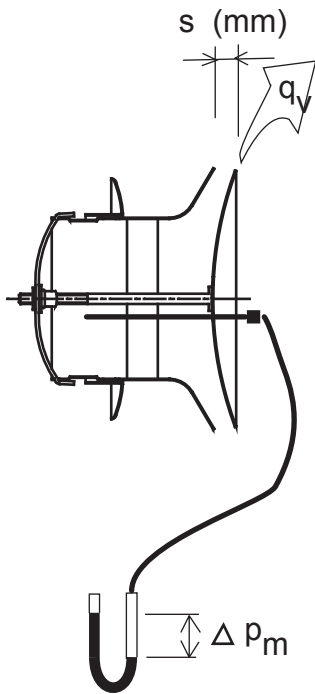
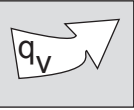
STI  
STIK



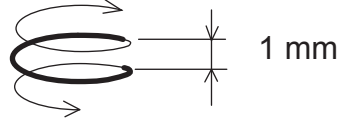
STI	Ød	ØD	H	C1	C2	ØE
100	95	155	95	60	25	150
125	120	185	95	60	25	180
160	155	226	100	63	28	220
200	195	274	100	63	28	268

STIK	Ød	ØD	H	C1	C2	ØE
100	95	155	95	60	25	150



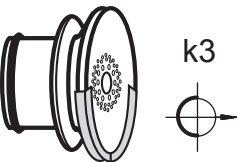
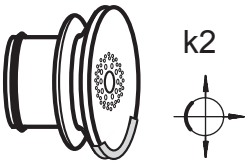
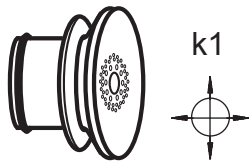
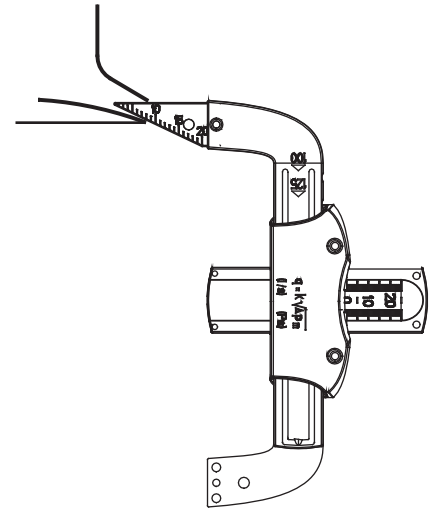


STIK-100:  
max s = 6 mm



$$q_v = k \sqrt{\Delta p_m}$$

(l/s) (Pa)



**STI-100 / STIK-100**

s (mm)	k1	k2	k3
0	0.6	-	0.6
2	1.6	-	1.6
3	2.1	-	1.8
4	2.7	2.5	2.1
6	3.6	3.3	2.4
8	4.6	4.1	2.9
10	5.6	4.8	3.2
12	6.1	5.3	3.6
16	7.0	6.3	4.3

**STI-125**

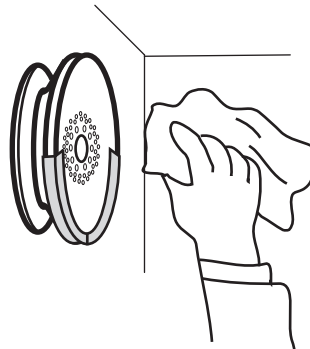
s (mm)	k1	k2	k3
0	0.8	-	0.8
2	2.0	-	1.5
3	2.5	-	1.9
4	3.2	2.6	2.2
6	4.4	3.5	2.8
8	5.8	4.4	3.3
10	6.9	5.2	3.9
12	7.8	6.1	4.5
16	10.3	7.8	5.6

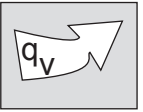
**STI-160**

s (mm)	k1	k2	k3
0	1.0	-	1.0
2	2.1	-	2.1
3	2.7	-	2.6
4	3.6	3.3	3.1
6	5.0	4.2	4.1
8	6.5	5.5	4.9
10	8.1	6.6	5.6
12	9.6	7.7	6.5
16	12.7	9.9	7.7

**STI-200**

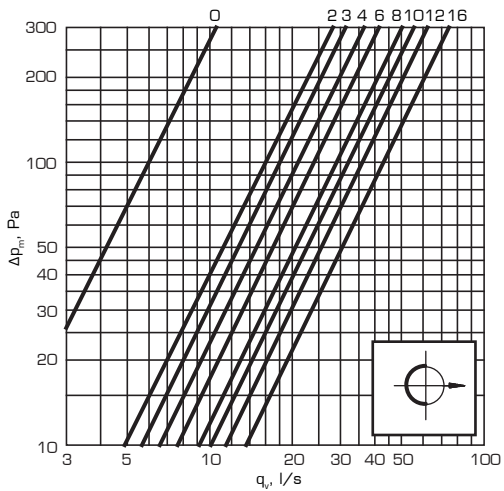
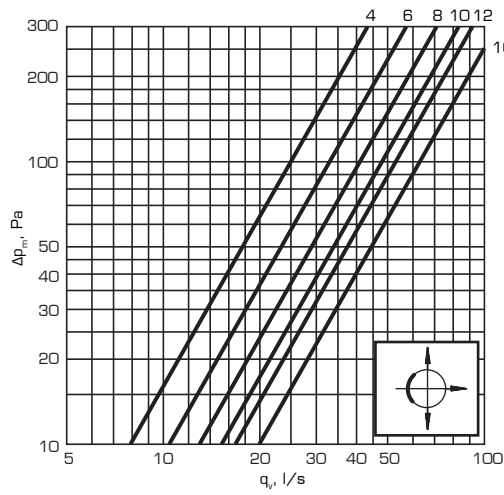
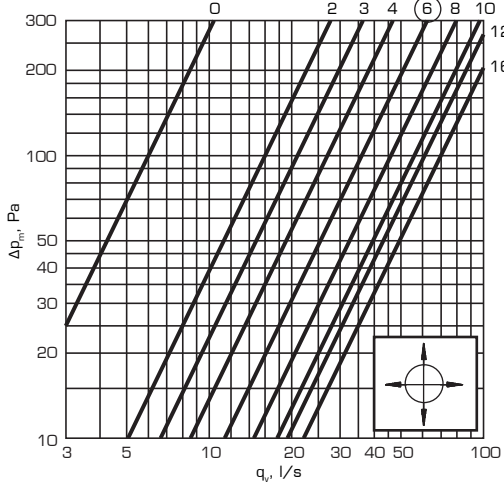
s (mm)	k1	k2	k3
0	1.8	-	1.8
2	3.0	-	3.0
3	3.4	-	3.2
4	4.7	3.9	3.8
6	6.7	5.3	4.9
8	8.5	6.9	6.3
10	10.0	8.4	7.5
12	12.2	9.7	8.5
16	16.1	12.3	10.3
20	19.4	14.9	12.1
25	23.3	17.8	14.6



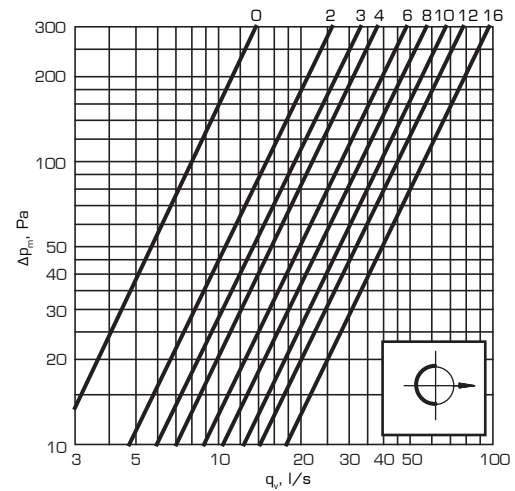
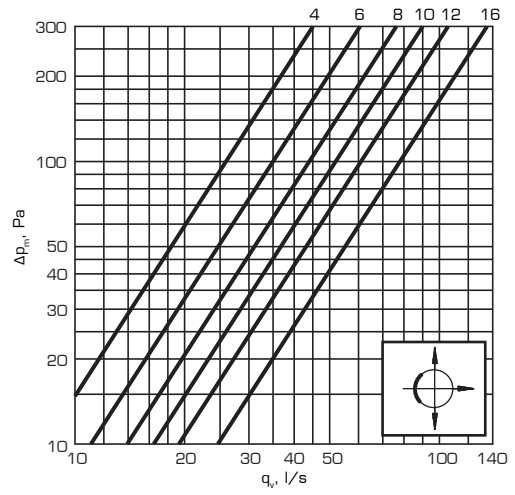
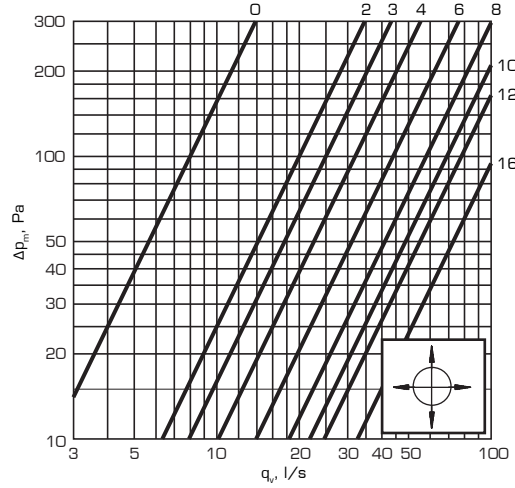


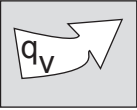
**STI-100 / STIK-100**

max s (STIK-100)

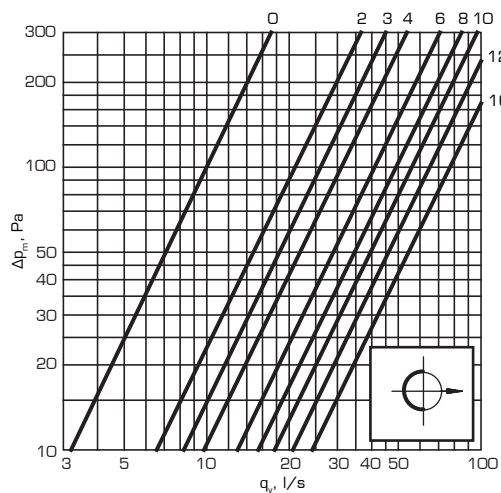
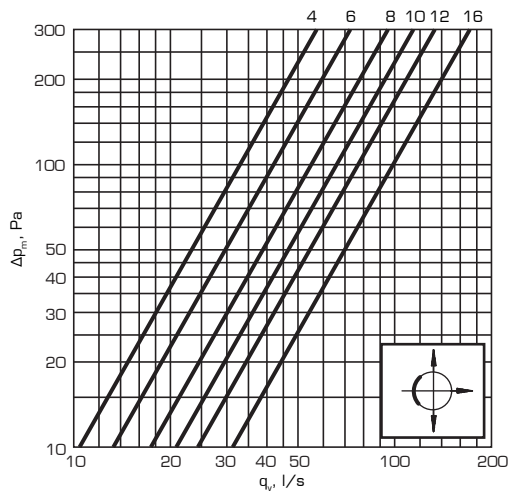
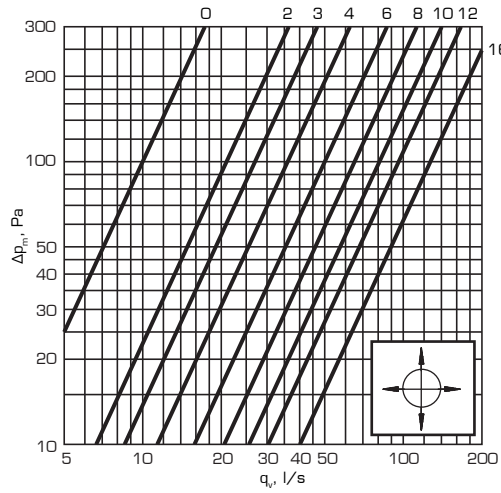


**STI-125**





STI-160



STI-200

